



medical **ECONET**  
GERMANY



Only 5,3 kg

Wireless hand switch

Focal spot of 1,0 mm



## mex+ AirRay

Ultra lightweight, portable X-ray Generator

- **HYBRID** – Device can be operated by internal battery or by external power supply
- Only 5,3kg for practical handling in mobile usage
- Equipped with high-performance battery (Lithium-Ion)
- Wireless charging or charging via USB connection
- Up to 60 exposures with only one battery charge
- Charging without removing the battery
- Exclusive remote control function by hand switch
- 10 programmable pre-set technique slots for kV and mAs
- Built-in ultra capacitor for steady power output

# Specifications

Modell	meX+AirRay
Output	
Tube Vol. / Current	90kV / 20 mA
Voltage range	50 - 90 kV in 1 kV steps
mAs Range	0,4mAs -20mAs 25 steps
Max. output	1,6 kW at 80 kV
X-ray Tube	
Application	OX / 70 CEI
Focal Spot	1,0 mm
Collimator	
Max. Light field: 47 cm x 47 cm @ 100 cm SID	
Lamp	LED
Laser Pointer	dual laser
Features	
LCD-display, Hand switch remote control function	
Exposures full charge	max. 60 at 70 kV / 1 mAs
PROM Memory	10 APR
Weight	5,3 kg
Dimensions	325 x 268 x 250 mm

## Standard Accessory

Wireless hand switch, hand switch and 2x rechargeable battery



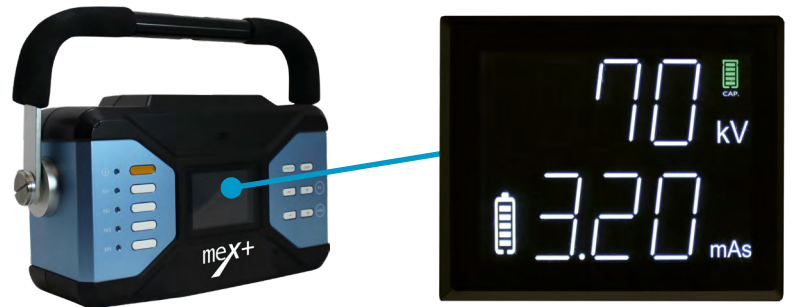
## Carrying Case



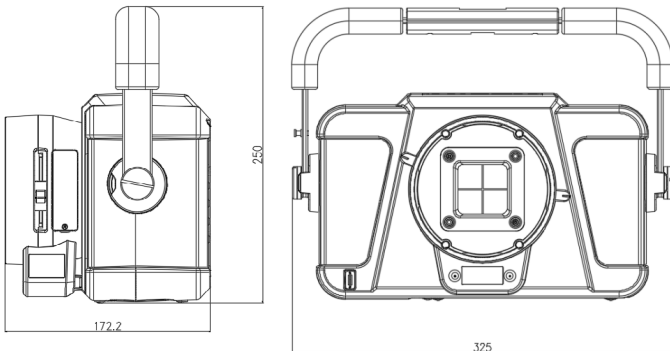
## Display Features



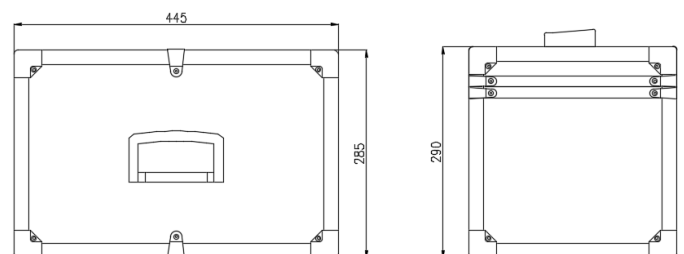
Compact and easy to handle



## Dimensions Generator (mm)



## Dimensions Carrying Case (mm)



CE 0123

medical **ECONET**

Im Erlengrund 16, 46149 Oberhausen - Germany

t: +49 (0) 208 377 890-0 info@medical-econet.com  
 f: +49 (0) 208 377 890-55 www.medical-econet.com  
 facebook.com/medicaleconetgermany

Distributor

\*Subject to change

ME-ENG-H-25-MEXAIRRAY-03-26