



RAD Rooms

PRIMAX INTERNATIONAL SOLUTIONS

RIVIERA SP



RIVIERA SP

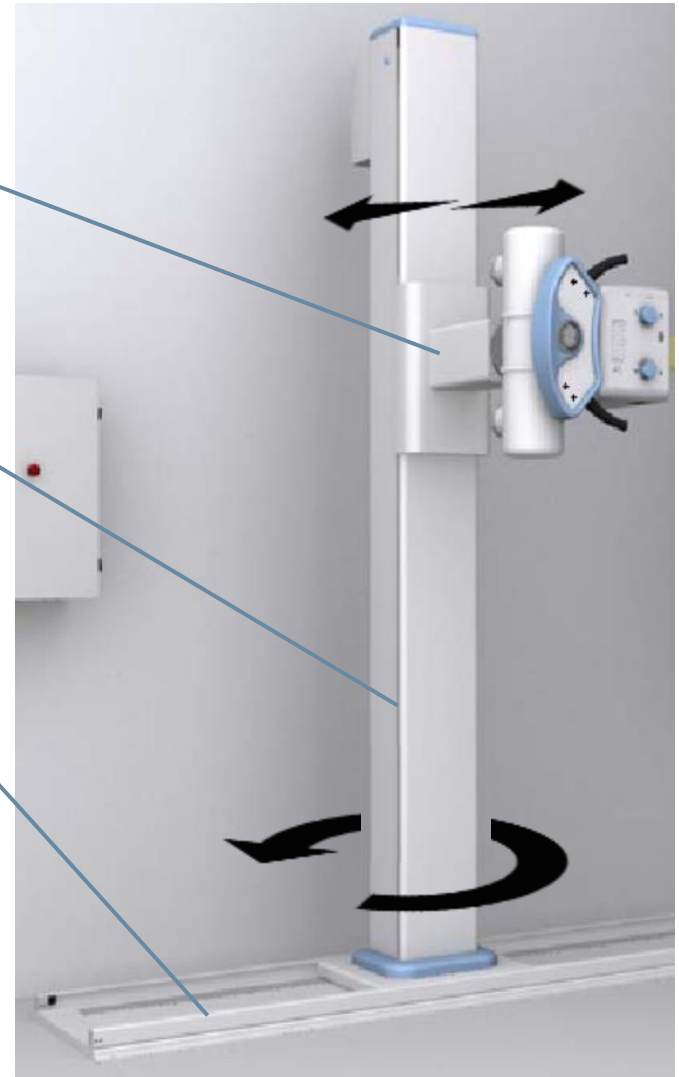
COLUMN OPTIONS



TELESCOPIC ARM

ROTATION

RAIL LENGTH

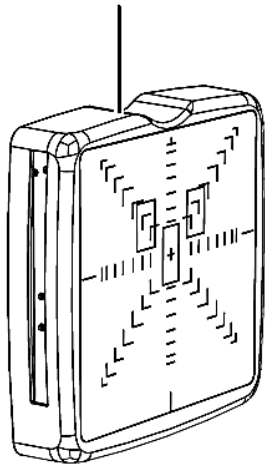


RIVIERA SP

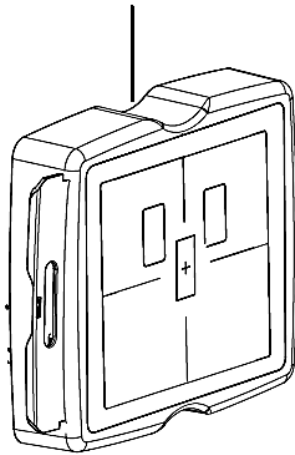


RIVIERA SP

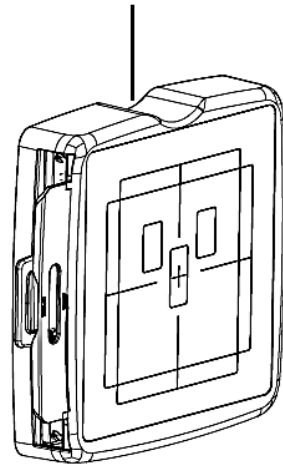
FILM / CR



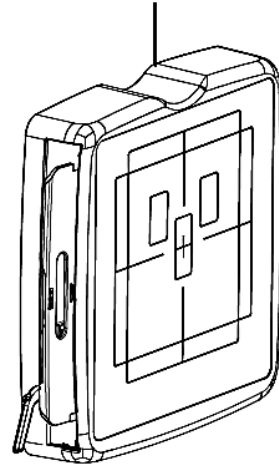
BDF CABINET
FOR FIXED DETECTOR



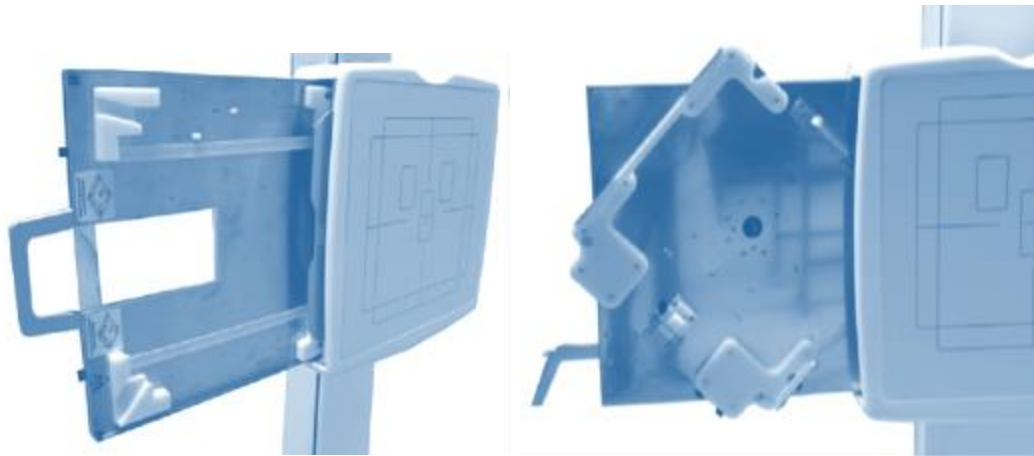
BDC CABINET
FOR PORTABLE DETECTOR
WITHOUT ROTATING TRAY



BDG CABINET
FOR PORTABLE DETECTOR
WITH ROTATING TRAY



BUCKY SELECTION



RIVIERA SP

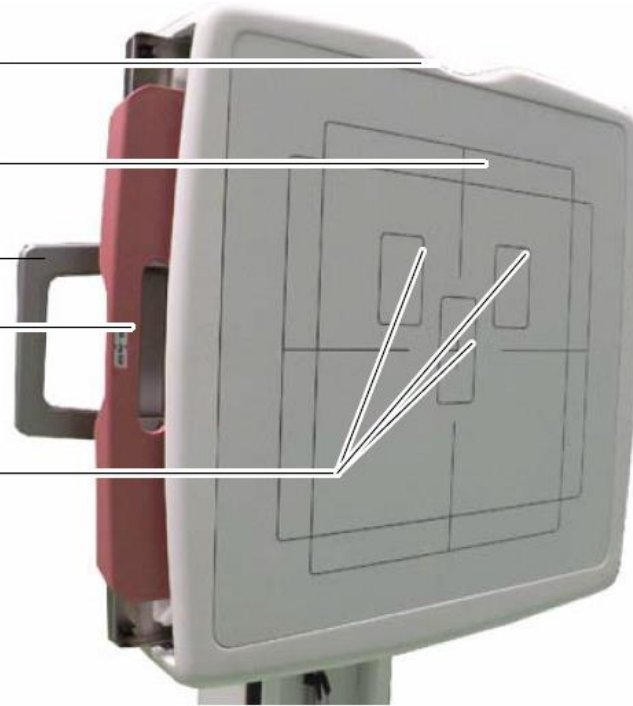
Chin Rest

Front Panel

Detector Tray

Removable Grid

AEC Areas

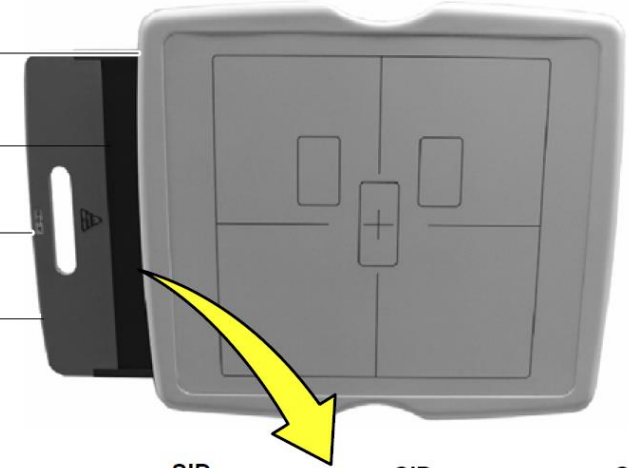


Grid Slot

Portable Grid

SID Label

Grid Handle



SID
100 cm - 40"



SID
150 cm - 59"



SID
180 cm - 70"



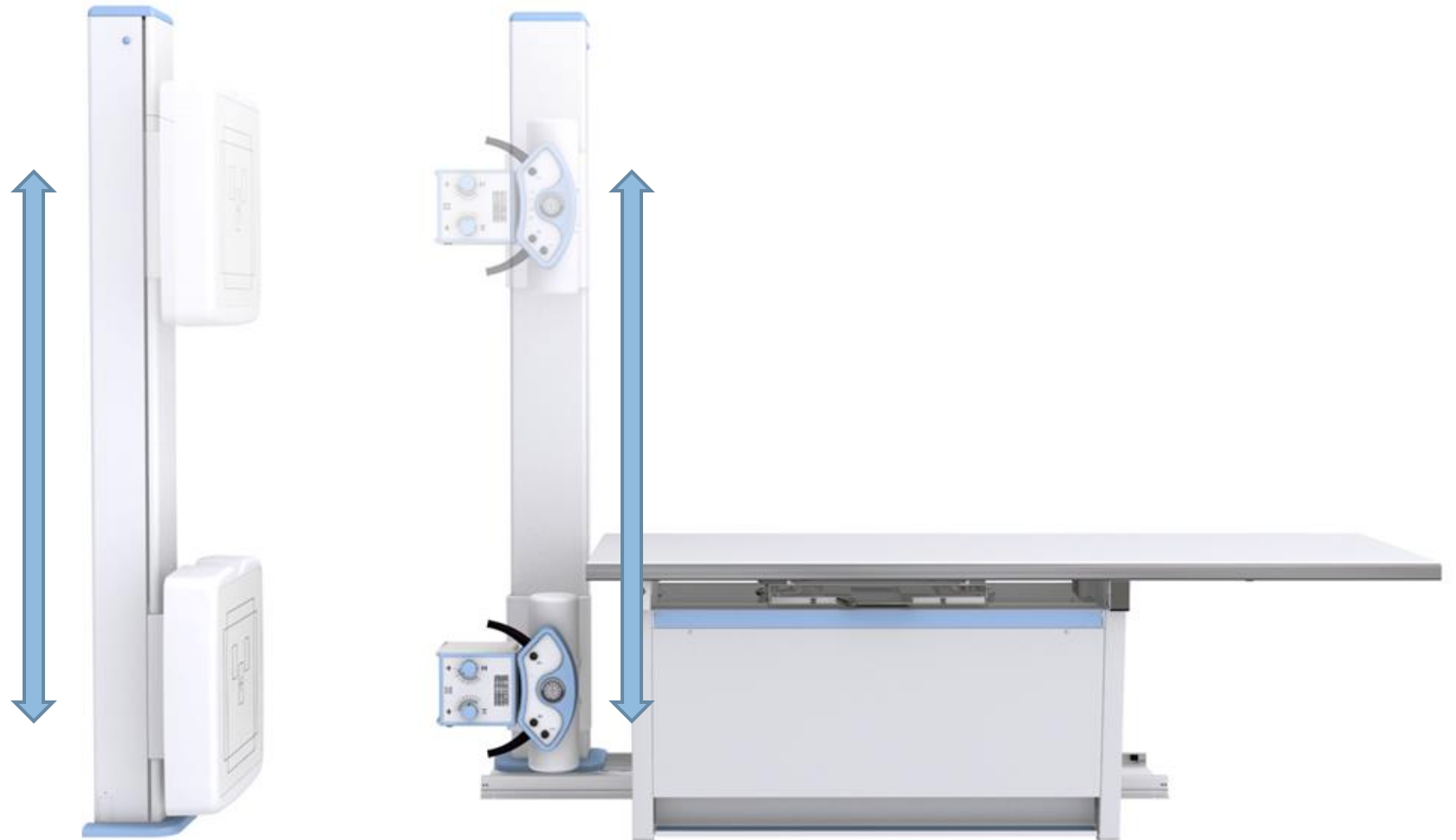
RIVIERA SP

- Four ways floating table top bucky table with electromagnetic brakes
- Foot switch at the bottom of the table for electromagnetic brakes controls
- Table top size 220 x 82 cm
- Height 77 cm
- Max patient weight 300 kg



RIVIERA SP

Option:
Vertical Tracking



RIVIERA SPV

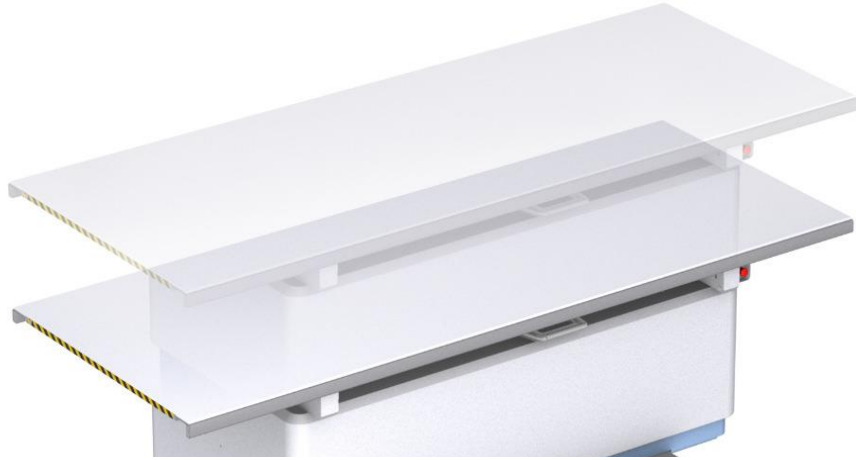


RIVIERA SPV

- Four ways floating table top bucky table with electromagnetic brakes
- Max patient weight 300 kg
- Pedal on the base of the table to control the board's electromagnetic brakes and lift or lower the table-top to the desired height.



RIVIERA SPV



• TTF

Laminated table top

Max Table Height: 93cm

Min Table Height: 59cm

Table-Top Dimensions L220xW86.8cm



• TTF_{2M}

Laminated table top

Max Table Height: 93cm

Min Table Height: 59cm

Table-Top Dimensions L200xW86.8cm

RIVIERA SPV



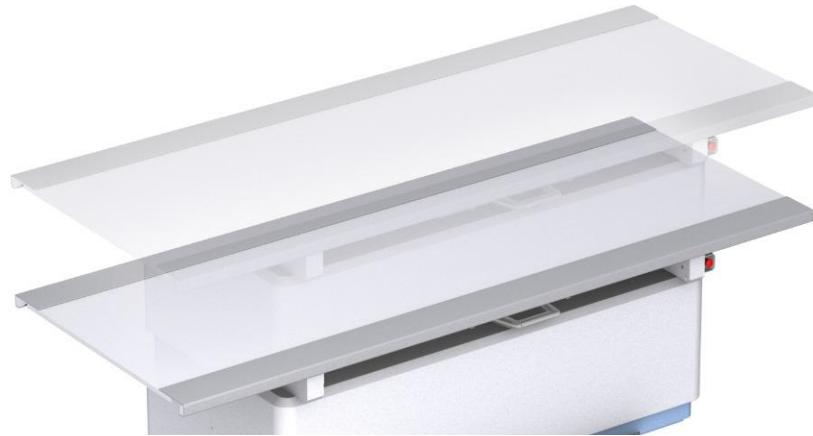
• TTFC

Flat low attenuation Carbon Fiber

Max Table Height: 93cm

Min Table Height: 59cm

Table-Top Dimensions L220xW86.8cm



• TTC

Low attenuation Carbon Fiber

Max Table Height: 92cm

Min Table Height: 58cm

Table-Top Dimensions L220xW86.8cm

RIVIERA B



RIVIERA B

TELESCOPIC ARM

ROTATION

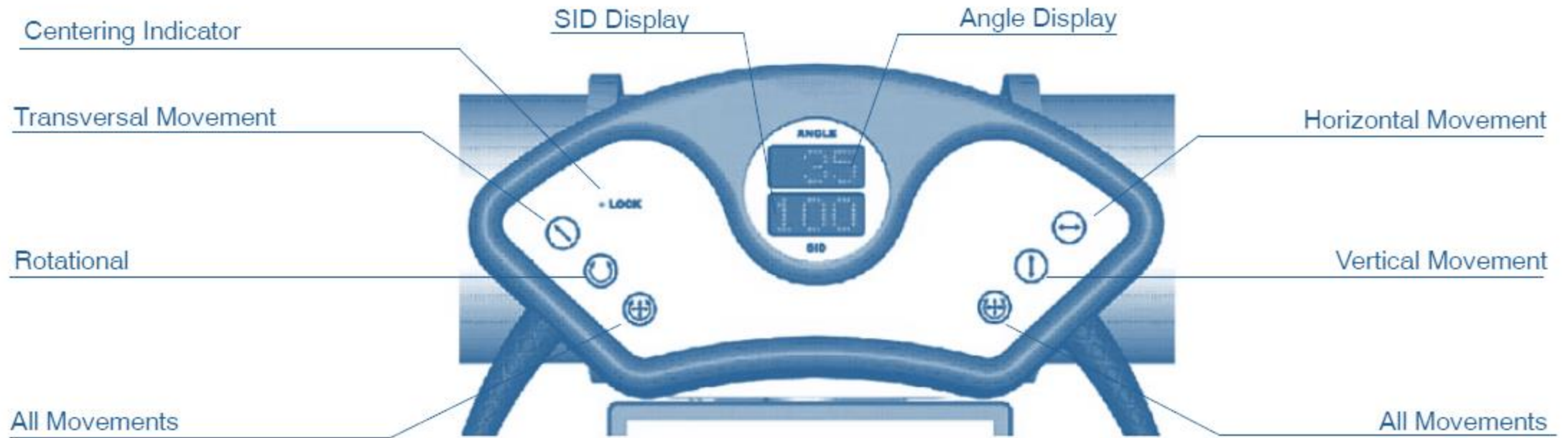


RIVIERA B



SID	BUCKY	BUCKY	
100	100	180	
40"	40"	72"	

RIVIERA B

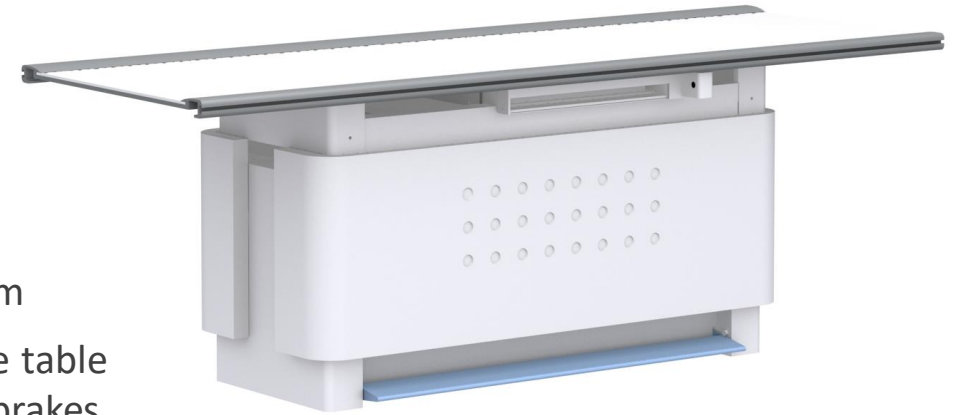


RIVIERA B

- High precision bearing system for a smooth four-ways movement
- Tabletop dimensions: Length 220 cm x Height 80 cm
- Tabletop Weight capacity: 350 kg
- Super speed moving Potter Bucky

FIXED

- Tabletop Height from floor: 75 cm
- Foot switch at the bottom of the table to control the electromagnetic brakes



ELEVATING

- Min Height from floor: 50 cm
- Max Height from floor: 90 cm
- Foot switch at the bottom of the table to control the electromagnetic brakes and the elevator

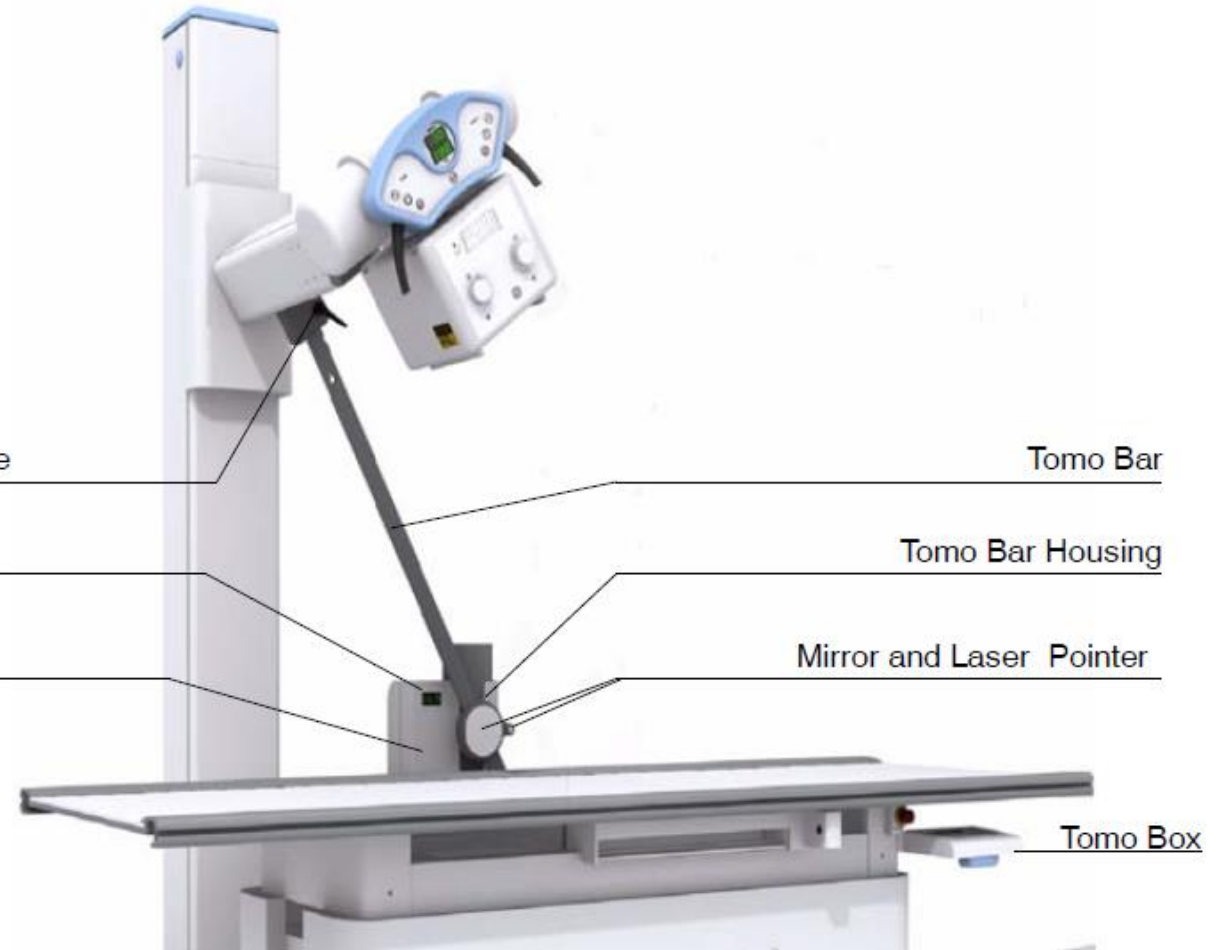
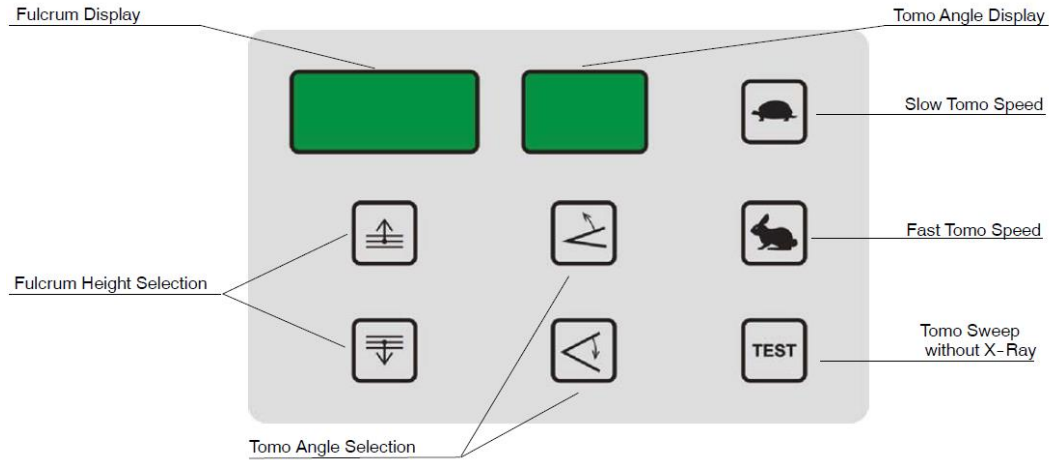


RIVIERA B

Option:
LINEAR TOMOGRAPHY



RIVIERA B



RIVIERA B TPC



RIVIERA B TPC



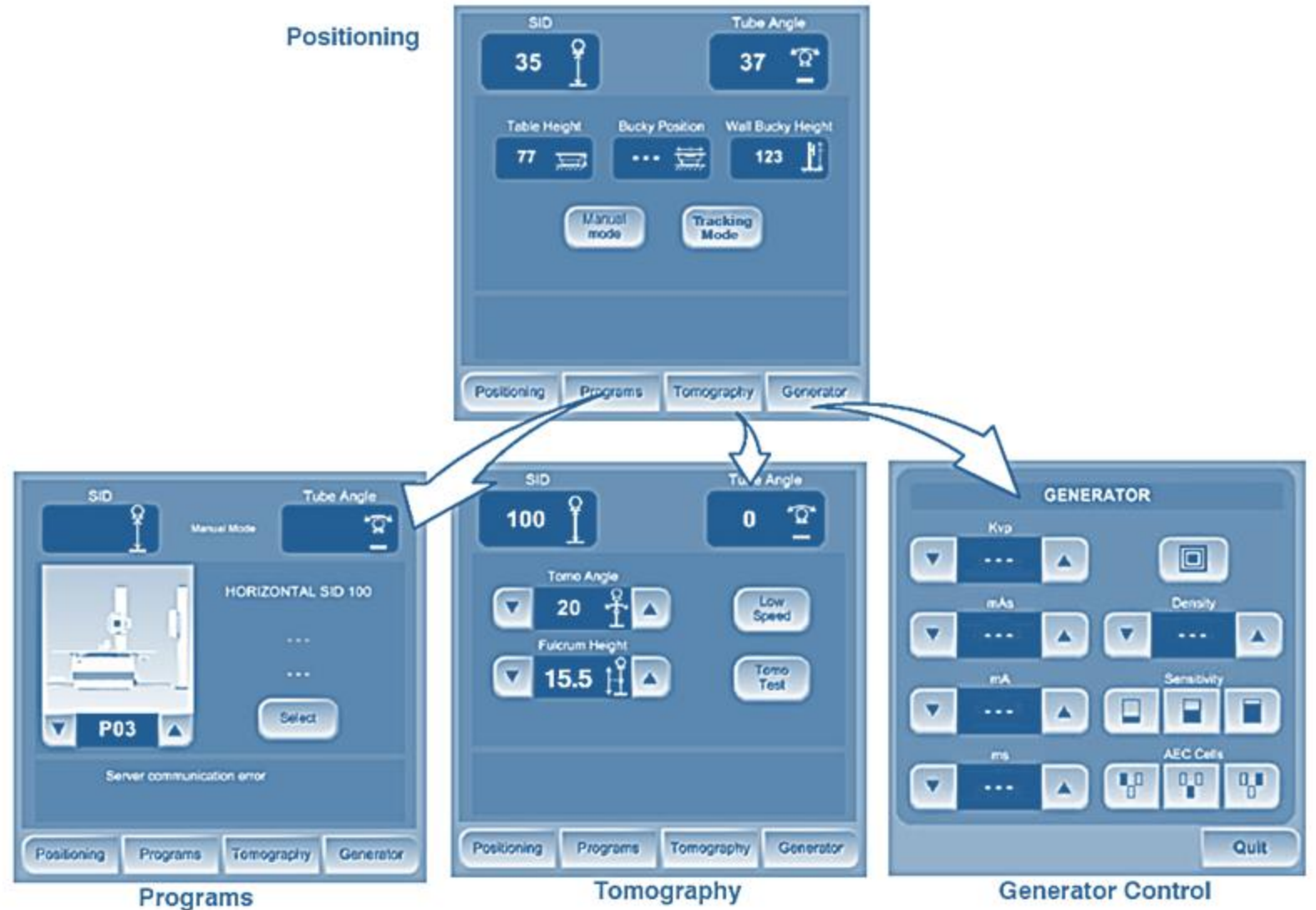
ALWAYS
AUTOTRACKING

OPTION
AUTOPOSITIONING

RIVIERA B TPC

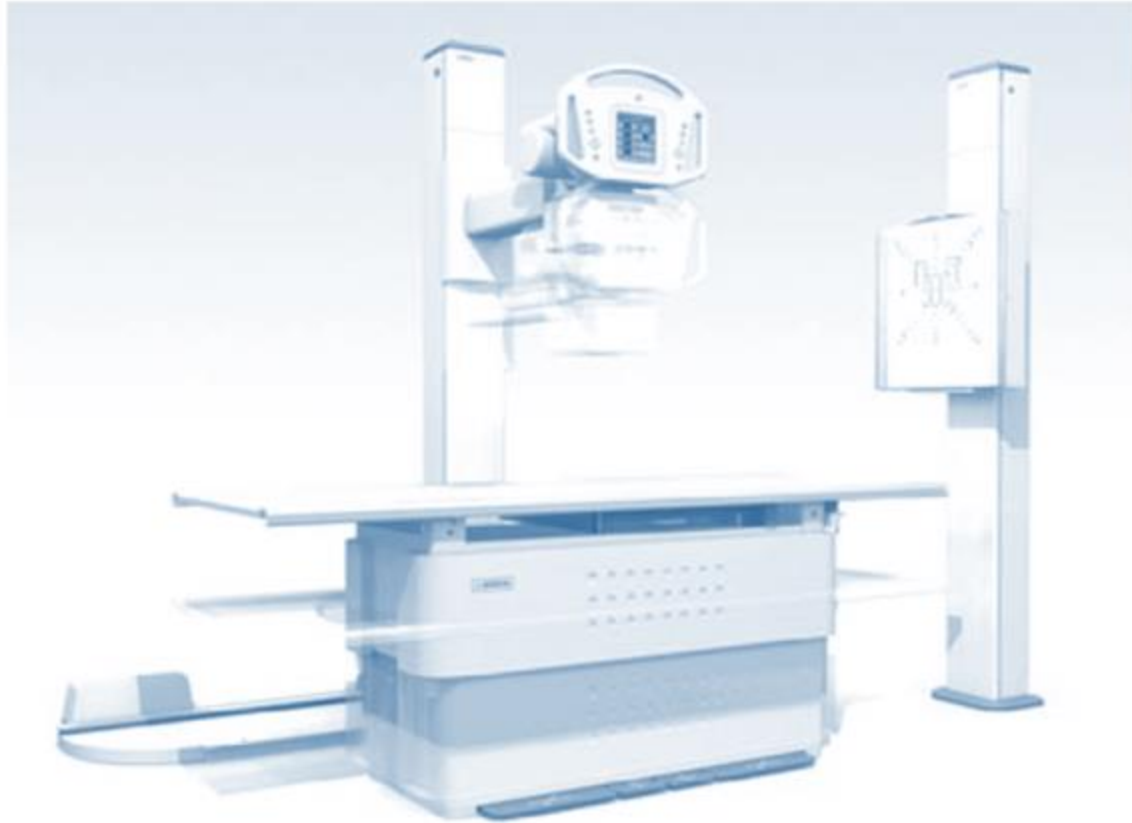


RIVIERA B TPC

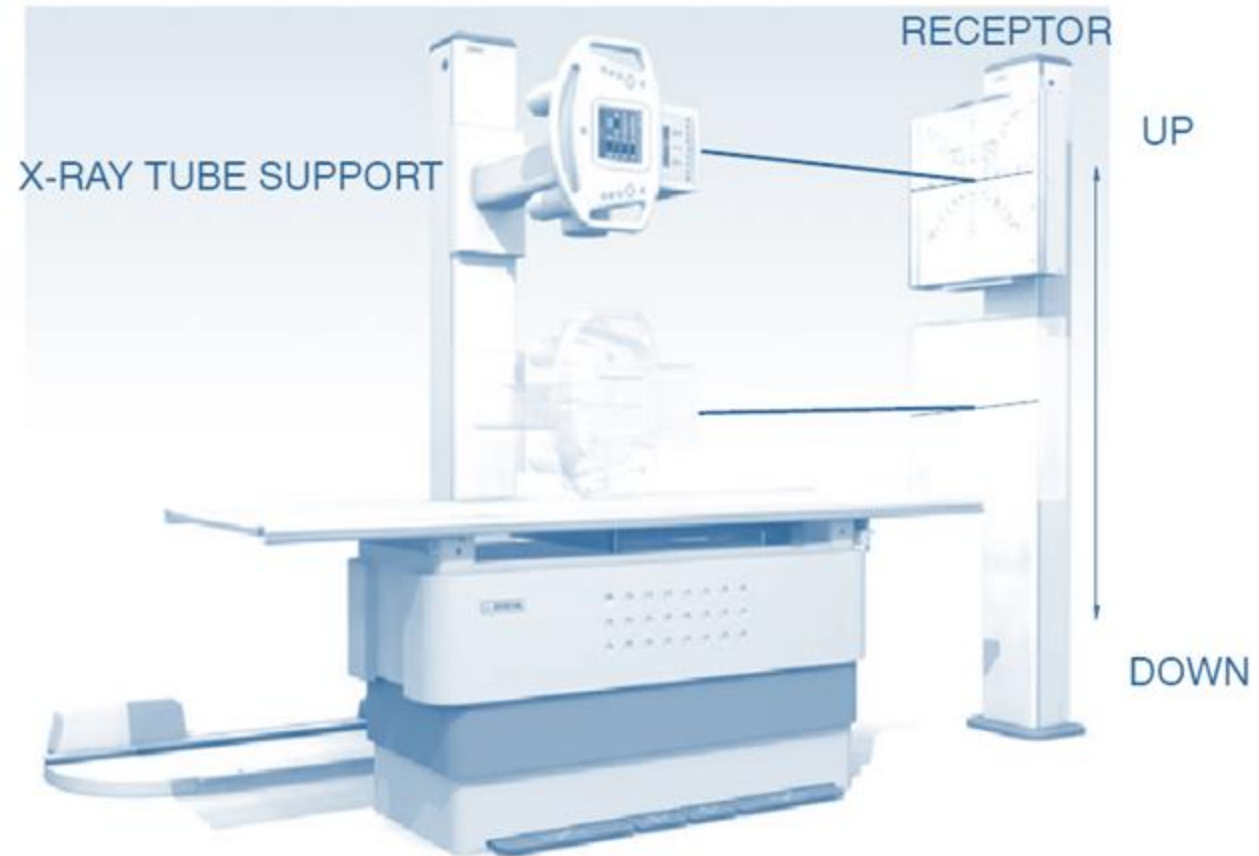


RIVIERA B TPC

AUTOTRACKING function with TABLE BUCKY

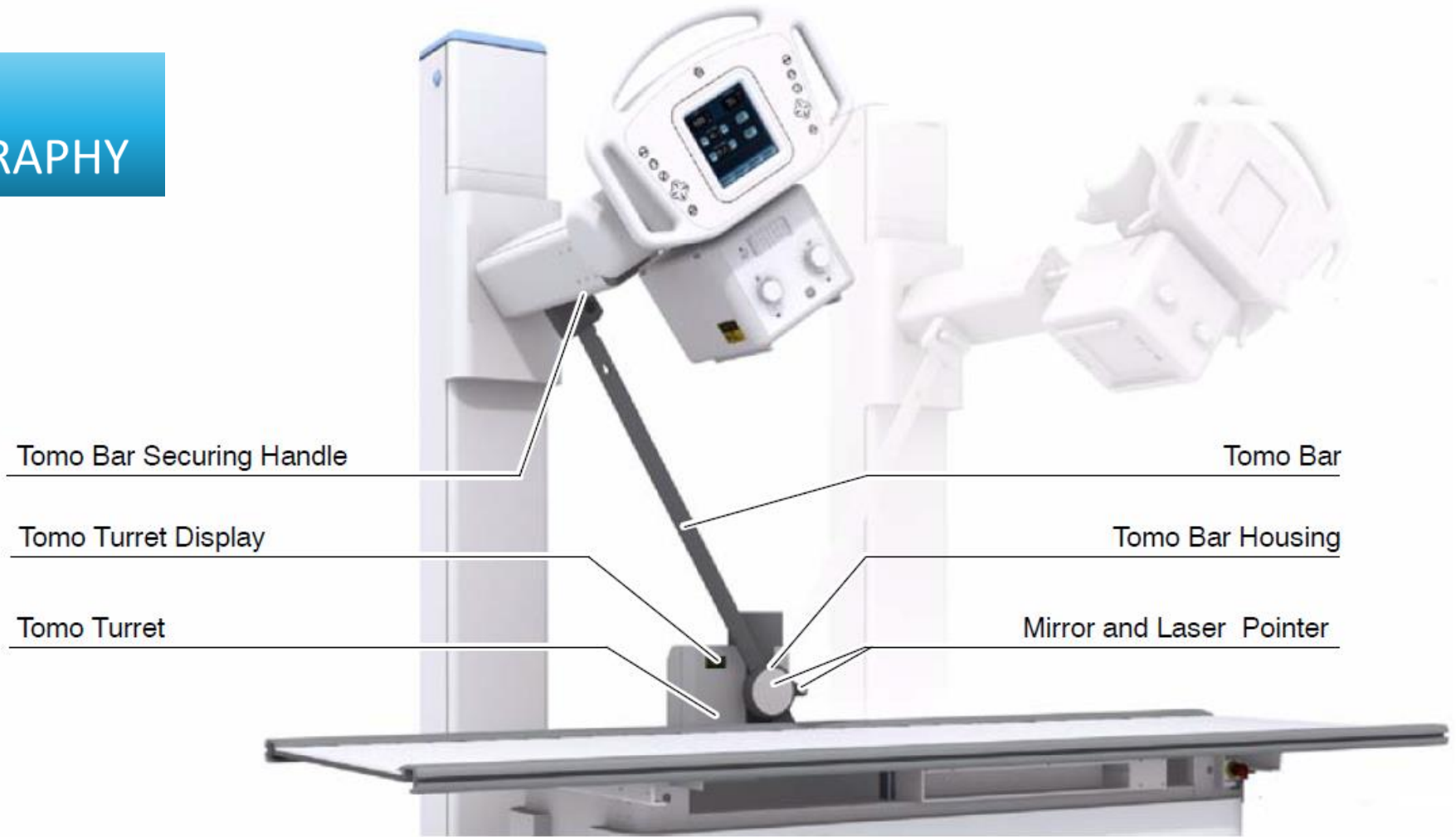


AUTOTRACKING function with WALL STAND BUCKY



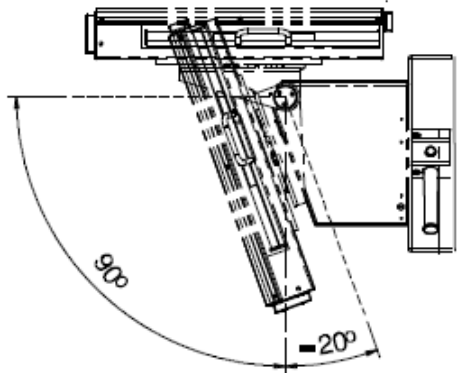
RIVIERA B TPC

Option:
LINEAR TOMOGRAPHY



RIVIERA B TPC

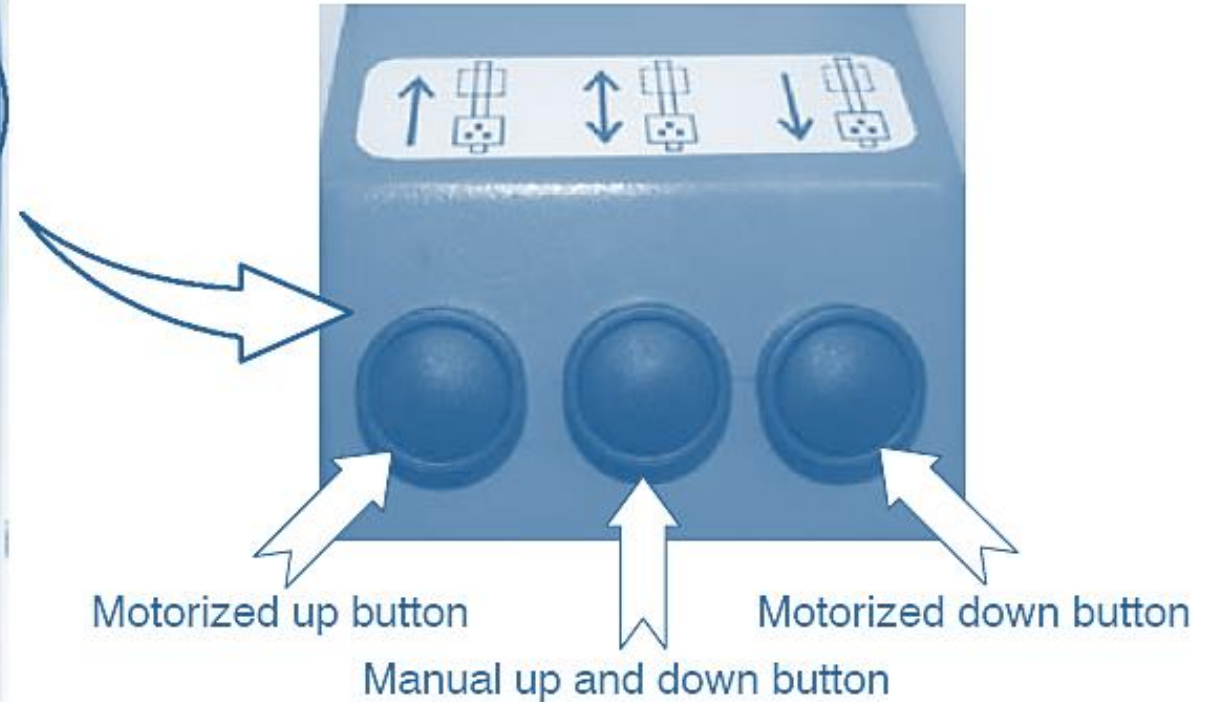
Option:
TILTING BUCKY



RIVIERA B TPC

Option:
MOTORIZED BUCKY

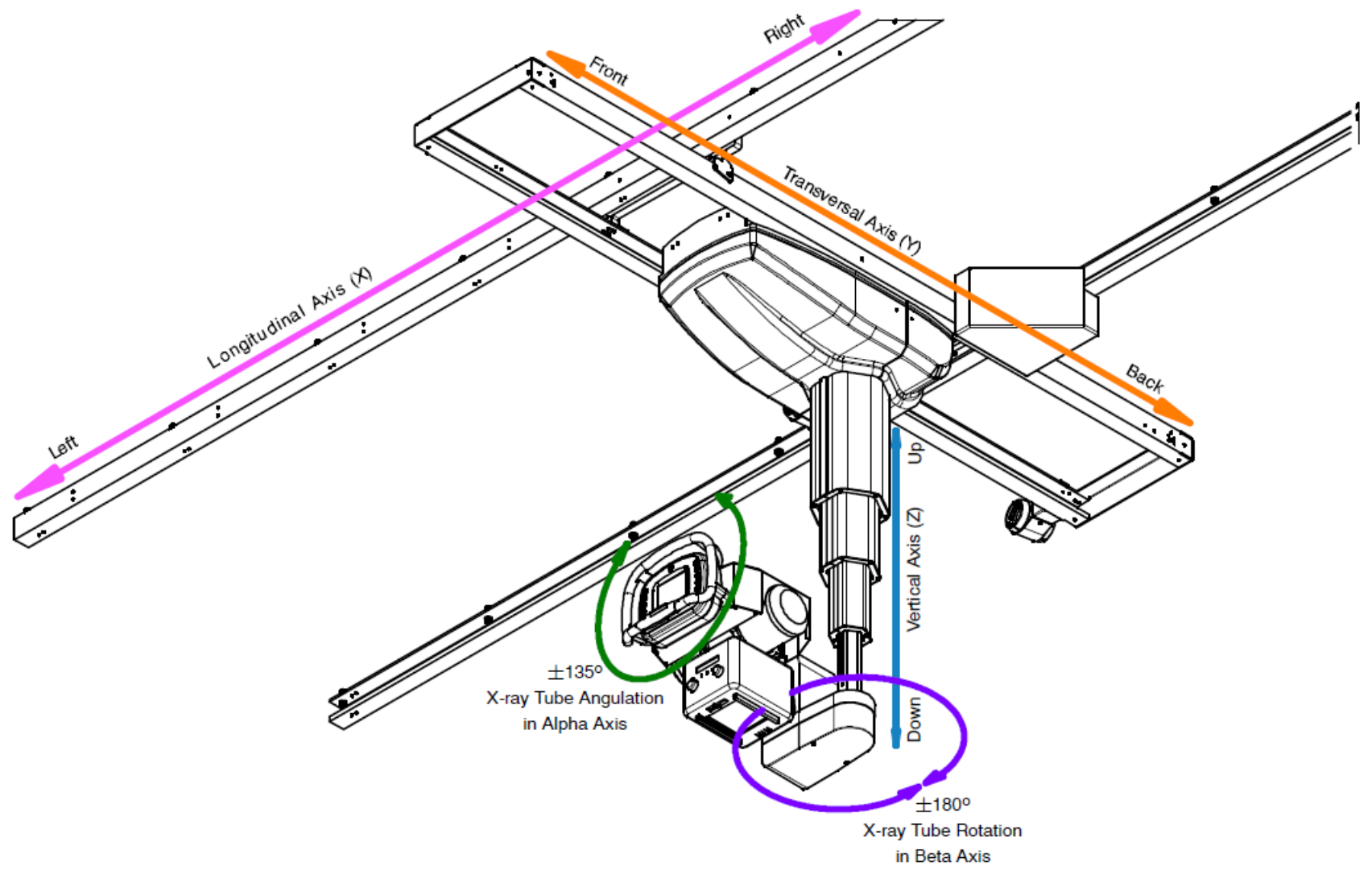
Handle



RIVIERA CS



RIVIERA CS



RIVIERA CS

3 OPTIONS for CEILING SUSPENSION

- Manual with vertical motorization (CSST)
- Autotracking (CSAT)
- Autopositioning (CSAP)



RIVIERA CS



RIVIERA CS



RIVIERA CS

TILTING and ROTATING BUCKY



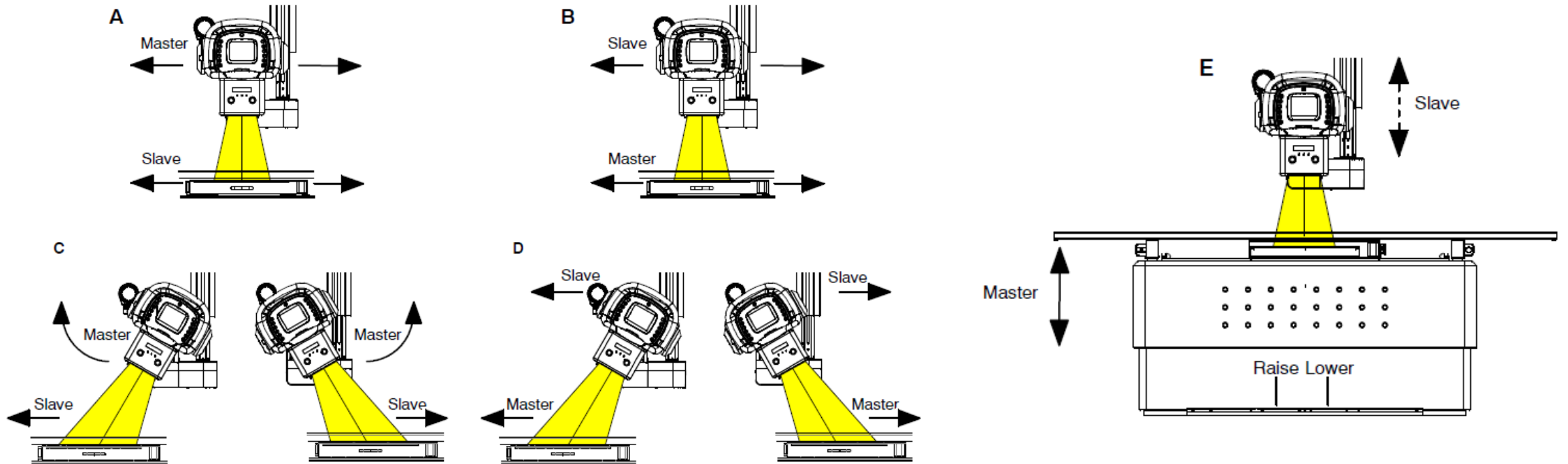
RIVIERA CS

Motorized vertical movement



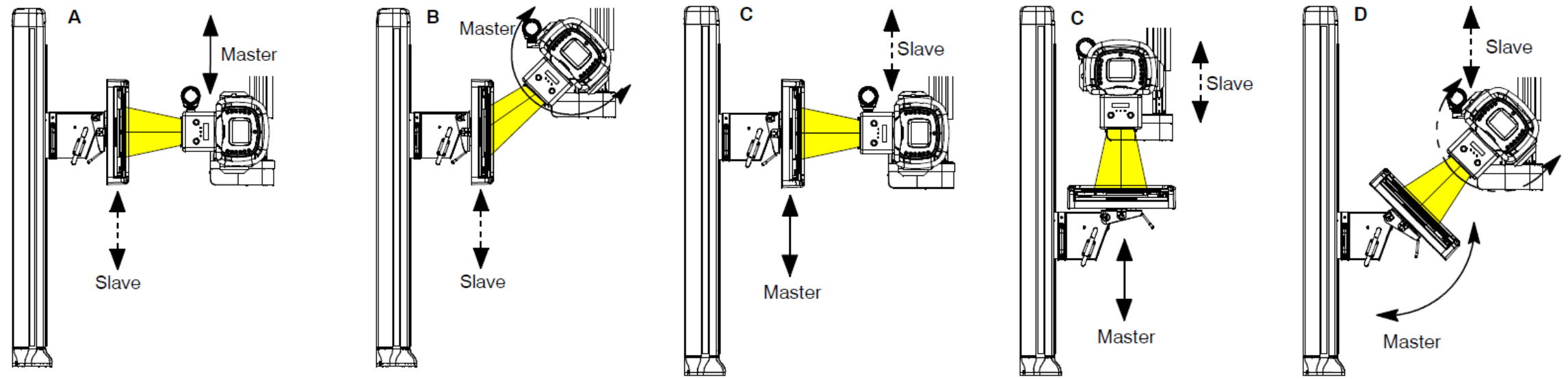
RIVIERA CS

AUTOTRACKING function with TABLE BUCKY



RIVIERA CS

AUTOTRACKING function with WALL BUCKY



RIVIERA CS

REMOTE CONTROL

Allows for remote controlling of the

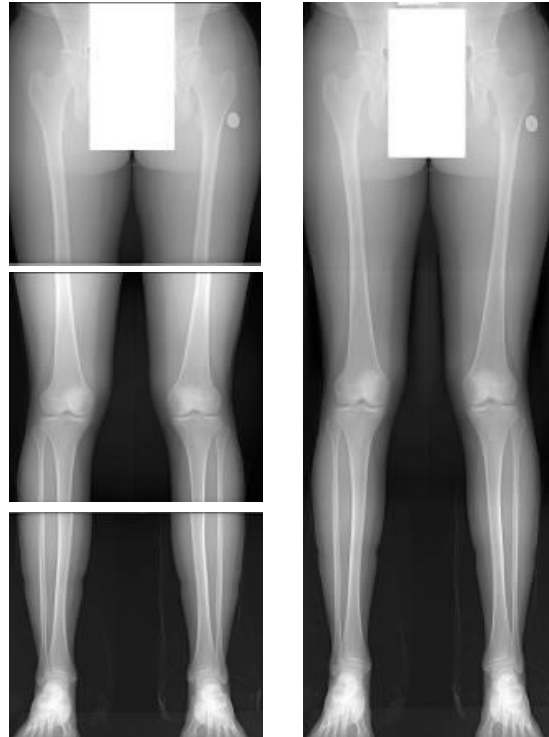
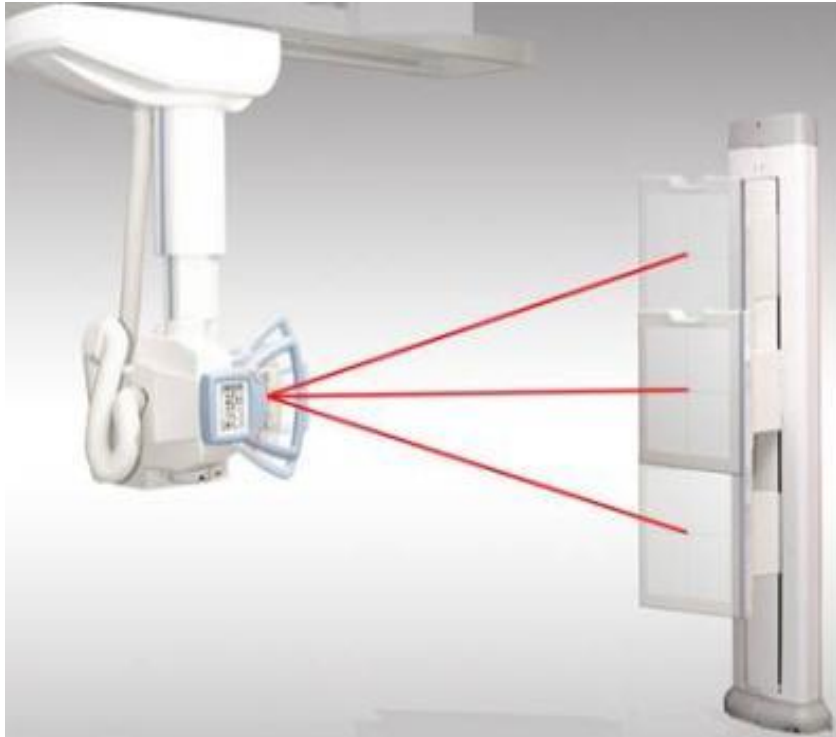
- Auto-centering
- Programmed Positions
- Parking movements.

Two units included, one for the examination room, one for the operator's control area.



RIVIERA CS

Option: STITCHING



IP-BARRIER



RIVIERA CS

INFRARED REMOTE CONTROL



Allows for remote controlling of

- automatic collimator blades opening and light
- vertical movement of the wall stand bucky
- automatic movements: auto-center, auto-tracking and auto-positioning
- movements of the ceiling suspension in all axes.



COMPONENTS

Generator RSTR

LINE

Single / Three Phase

32-40-50-64-80 kW

Up to 1000 mA

Up to 630 mAs



- High Frequency
- Microprocessor controlled
- 40-150 kVp
- Digital Systems interfaces

Generator RST



BATTERY

32-40-50 kW

Up to 500 mA

Up to 500 mAs



CAPACITORS

32-40-50 kW

Up to 500 mA

Up to 500 mAs

Generator consoles

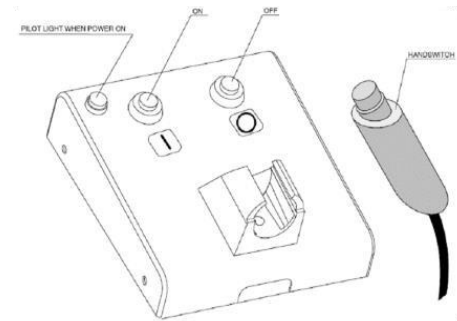
Buttons console



Touch Screen console

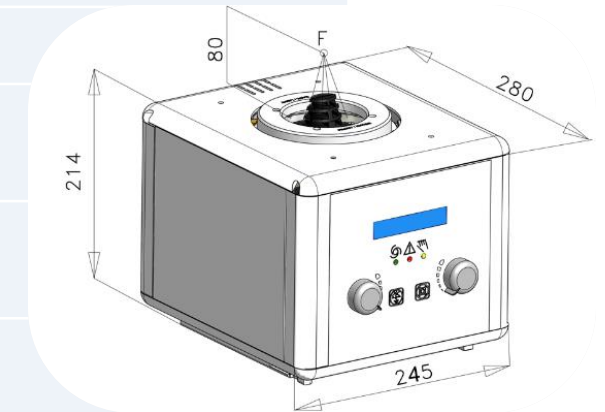


On/Off for DIGITAL



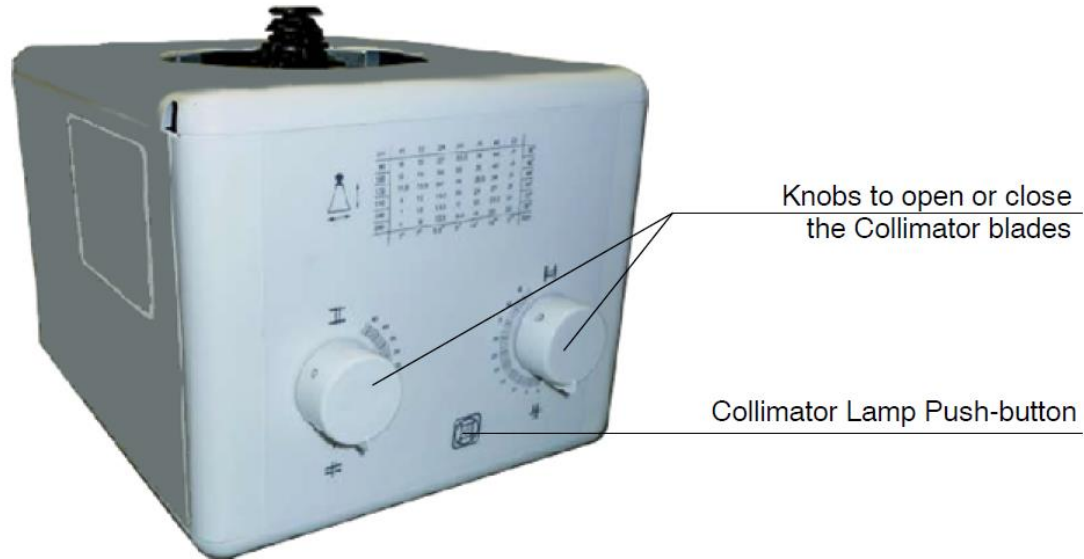
Collimators

MANUAL	LED centering bucky light, timer and meter, rotation $\pm 90^\circ$
	LED centering bucky light, centering laser beam, timer and meter, rotation $\pm 90^\circ$
	LED centering bucky light, centering laser beam, timer and meter, rotation $\pm 90^\circ$ with copper and aluminum manual filters
AUTOMATIC	LED centering bucky light, centering laser beam, timer and meter (for sensing tray)
	LED centering bucky light, centering laser beam, timer and meter (digital systems)
	LED centering bucky light, centering laser beam, timer and meter, motorized filters (digital systems)
	LED centering bucky light, centering laser beam, timer and meter with integrated DAP/KERMA (digital systems)
	LED centering bucky light, centering laser beam, timer and meter with integrated DAP/KERMA, motorized filters (digital systems)



Collimators

MANUAL



AUTOMATIC

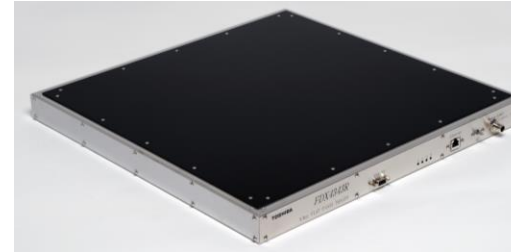


CANON Flat Panels

FIXED

FDX4343R 43 x 43 cm

401C 43 x 43 cm



WIRELESS

FDX3543RPW 35 x 43 cm

FDX4343RPW 43 x 43 cm

FDX2530RPW 25 x 30 cm

710C 35 x 43 cm

410C 43 x 43 cm

810C 25 x 30 cm

AR3543 35 x 43 cm

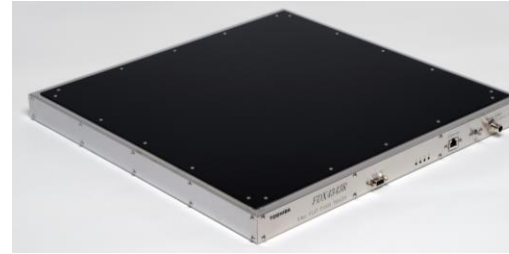
AR4343 43 x 43 cm



THALES Flat Panels

FIXED

PIXIUM4343C-E 43 x 43 cm



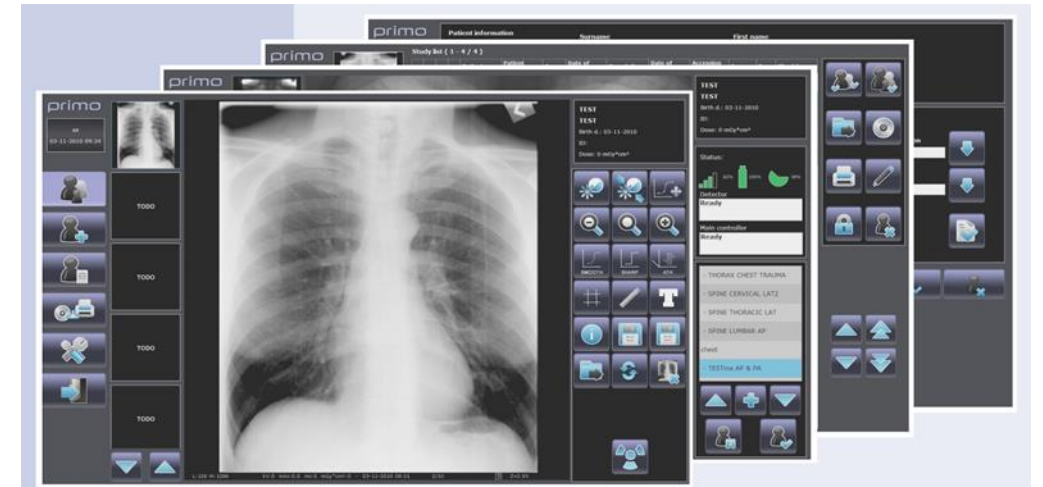
WIRELESS

PIXIUM3543EZ 35 x 43 cm
PIXIUM3543DR-CS 35 x 43 cm

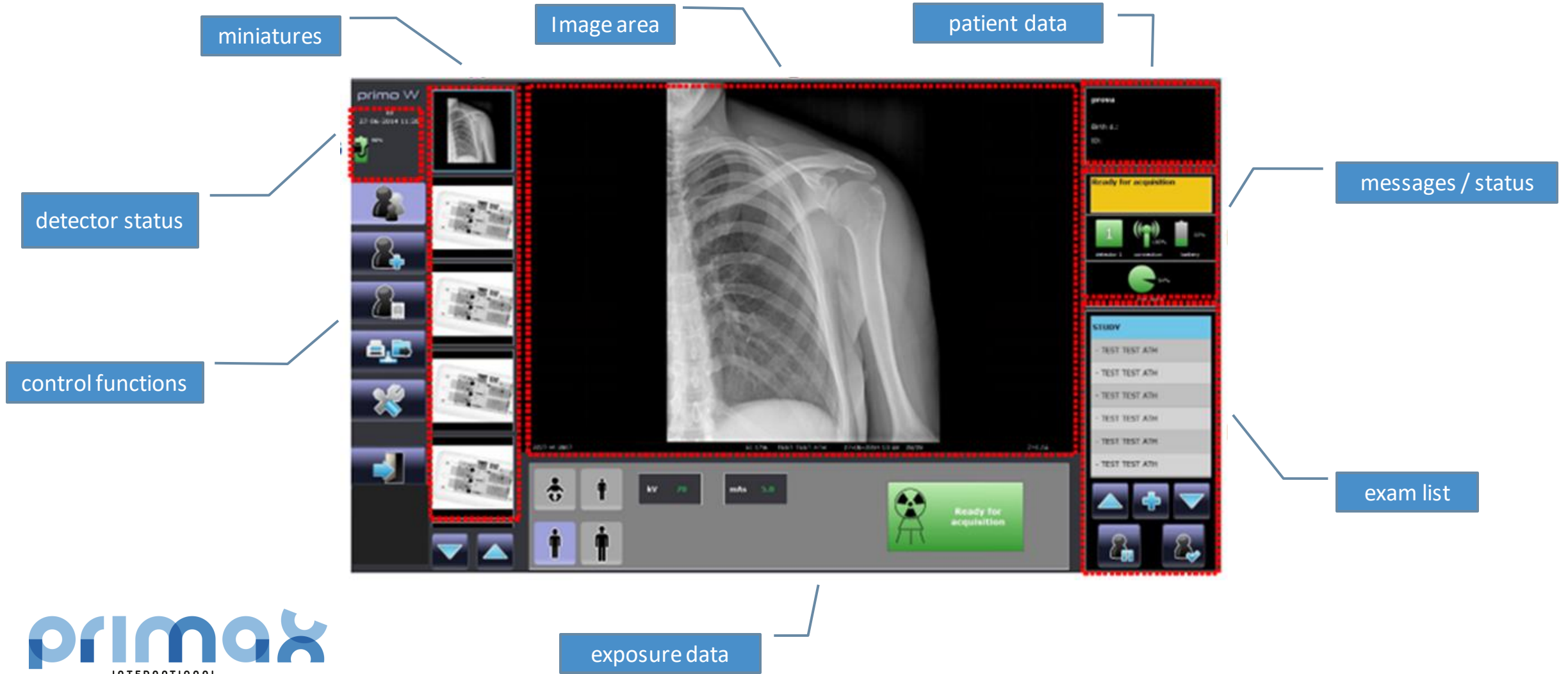


PRIMO Imaging Software

- **Professional** acquisition software for X-ray images from DR systems
- **Intuitive** operation greatly simplify daily routine tasks.
- PRIMO **controls X-ray generator** for streamflow routines.
- Can be **adapted** to individual user needs
- Immediate delivering of diagnostic images
- **DICOM** classes to interact with RIS / PACS servers and printers

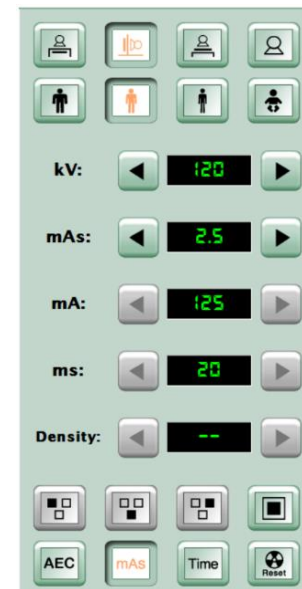


PRIMO Imaging Software



ECOM DROC Imaging Software

- Full X-ray generator control with integration of all exposure parameters including dose radiation value received by the patient during the last exposure
- Integration with the Health Centre's RIS/PACS systems for worklists managing and export images to external servers.
- Images processing that allows making measurements, rotations, annotations, horizontal and vertical inversion, grayscale inversion, zoom, magnification, electronic collimation, printing, editing.
- Tools for elimination or reduction of artifacts, image optimization, reducing image noise, grid removal.



THANK YOU !
